

# **KADDY-LAC<sup>®</sup> Maintenance Kit**

*With the kit, all essential components are readily available to help keep your cart fleet in good working order.*



**1 Kit services 50 Carts**

**\$105.25**

Includes free Kaddy-Lac golf hat

**Kit Contains:**

Handle Grips, Caps , Bearings, Bearing felts, Bearing Lubricant, assortments of nuts and bolts and free Kaddy-Lac Golf hat.

**Benefits:**

- One time buying lowers your shipping costs
- 25% Volume discount from listed parts costs
- Repairs can be made on the spot without delay

# **KADDY-LAC<sup>®</sup> Cart Wash Stand**

*Wash stand makes it easy for you to provide your golfing membership with a continuously clean pull-cart.*



**Benefits:**

Helps rid your tires of caked on mud, leaves and pesticides. This improves both the look and performance of your rental pull-cart investment. Designed to fit all Kaddy-Lac models. Sturdy aluminum construction. Won't rust. Easily portable.

**\$125.00**



*Routine preventative maintenance determines both the performance and durability of your rental pull-cart investment.*



# Parts Page

Also available with Optional V-bracket Bag Support System (Part #25)

Polyester Reinforced Bag Sling (Part #44)

Plastic Glide Caps (Part #42)

Large Cushioned Handle Grip (Part #41)

Handle (Part #32a)

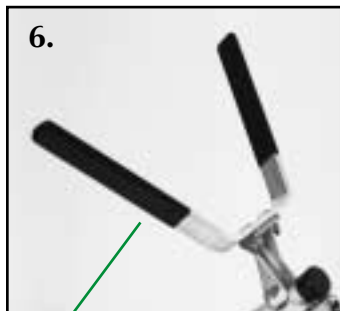
Complete Double Diamond (Part #20a)

Upper Bag Bracket (Part #24)

Extension (Part #15)

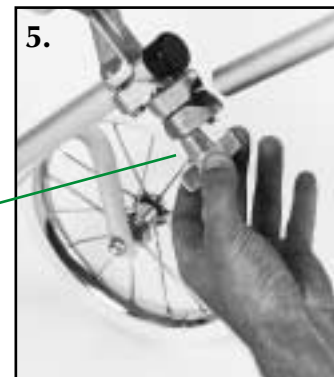
Wing Nut (Part #14)

6.



V-bracket Cap (Part #48)

5.



Centre Casting (Part #12)

Centre Stem (Part #29)

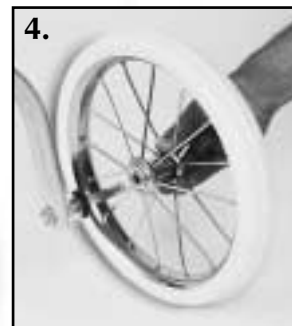
13" Narrow Wheel (Part #00)

Cushioned Neoprene Bag Protector (Part #47)

Extension (Part #15)

Undercarriage (Part #27)

4.



Lower Bag Bracket (Part #23)

2-Hole Diamond Casting (Part #16)

13" Narrow Tire (Part #04)

Extra Large Foot Plate (Part #45)

Cast Aluminum Wear Pad (Part #21)

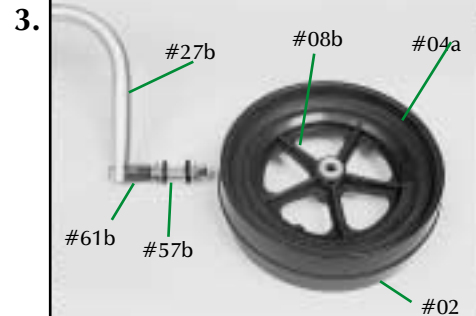
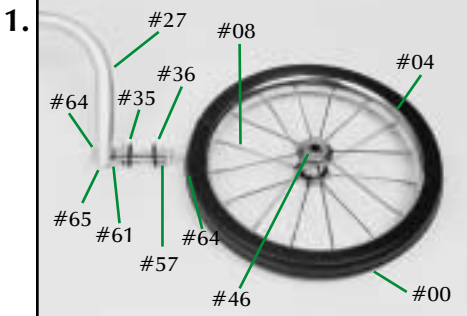
Narrow Wheel Rim (Part #08)

## Wheel Assembly Systems

13" Diam. Narrow Wheel System

11" Diam. Chrome Wide Wheel System

11" Diam. Polypropylene Wide Wheel System



Available with black or white tire shown in photo 4



# Parts List

Effective January 1st, 2002

**Please Note:** To help us serve you better, please provide the part number when ordering. Please refer to the part photos (page 16) or carts pages to ensure that you order the correct parts.

PARTS DESCRIPTION	Part #	Cost	Qty. Req.	PARTS DESCRIPTION	Part #	Cost	Qty. Req.
13" x 1 3/4" Narrow wheel (Photo 1,4)	00	26.00		1/2" Flat Washer	36	.15	
13" x 1 3/4" Reconditioned wheel (not shown)	00a	20.00		1/4" Lock Washer	37	.05	
13" x 1 3/4" Urethane Narrow Wheel (Page 4)	00b	28.00		1/2" Lock Washer	38	.15	
11" x 3 1/2" Chrome Wide Wheel (Photo 2)	01	33.00		1/4" Flat Washer	39	.05	
11" x 3 1/2" Plastic Wide Wheel (Photo 3)	02	38.00		Pull-Cart Handle Grip	41	2.00	
20" x 3" Large Wheel (Page 7)	03	45.00		Colored Pull-Cart Handle Grip (not shown)	41a	3.25	
13" x 1 3/4" Tire - Black or White (Photo 1, 4)	04	16.00		Push-Cart Handle Grip (Page 7)	41b	7.00	
11" x 3 1/2" Wide Tire (Photo 2,3)	04a	20.00		Plastic Glide End Cap	42	.30	
13" x 1 3/4" Urethane Narrow Tire (Page 4)	04b	18.00		Bag Bracket Spacer	43	.70	
Narrow Wheel Rim (with bearings) (Photo 1)	08	13.00		Bag Sling (includes screws, or bolts)	44	7.50	
Wide Wheel Chrome Rim (Photo 2)	08a	16.00		Foot Plate (aluminum)	45	12.00	
Wide Wheel Polypropylene Rim (Photo 3)	08b	20.00		1/2" Ball-Bearing (heavy duty)	46	3.00	
<b>FOR WHEELS, TIRES AND RIMS</b> Order 50-99 units and receive \$2/unit discount! Order 100+ units and receive \$3/unit discount!				Spray Lubricant for Bearings	46a	9.00	
				Neoprene Protector	47	3.00	
				V-bracket End Cap (Photo 6)	48	1.00	
Centre Castings	12	13.00		1/4" x 1 1/4" Carriage Bolt	50	.20	
Wing Nut / Handle Knob	14	5.00		1/4" x 1 1/2" Carriage Bolt	51	.20	
Extension (Top, Bottom)	15	8.00		1/4" x 1 1/4" Hex Bolt	53	.20	
2-Hole Diamond Casting	16	3.00		1/4" x 1 3/4" Hex Bolt	54	.20	
Double Diamond	20	10.00		1/4" x 2 1/4" Hex Bolt	55	.30	
Complete Double Diamond (Photo 5)	20a	17.50		1/4" x 2 3/4" Hex Bolt	56	.35	
Wear Pad (centre stem)	21	3.50		1/2" x 4 1/8" Narrow Wheel Stud (Photo 1)	57	4.00	
Lower Bag Bracket & Hardware	23	16.00		1/2" x 5 1/4" Chrome Wide Wheel Stud (Photo 2)	57a	5.00	
Upper Bag Bracket & Hardware	24	16.00		1/2" x 4 9/16" Plastic Wide Wheel Stud (Photo 3)	57b	5.00	
V-bracket Bag Support (Photo 6)	25	16.00		Bag Sling Screw	58	.10	
Narrow Wheel Undercarriage (Photo 1)	27	28.00		1/4" Plain Nut	59	.05	
Chrome Wide Wheel Undercarriage (Photo 2)	27a	30.00		Spacer Nut for 13" Narrow Wheel (Photo 1)	61	.20	
Plastic Wide Wheel Undercarriage (Photo 3)	27b	30.00		Spacer Nut for Chrome Wide Wheel (Photo 2)	61a	1.00	
Centre Stem (with wear pad)	29	20.00		Spacer Nut for Plastic Wide Wheel (Photo 3)	61b	1.25	
Pull-Cart Handle	32	15.00		1/4" x 2 1/2" Stainless Stove Bolt	62	.40	
Pull-Cart Handle (with grip)	32a	16.00		1/4" Lock Nut	63	.15	
Push-Cart Handle (with grip) (Page 7)	32b	24.00		1/2" Jam Lock Nut	64	.30	
Felt Washer Bearing Seal	35	.10		1/2" Undercarriage Plug Nut	65	.25	

**Order 100+ units of the same part and get a 10% Discount off its listed Part Cost!**  
 Note: See special discounts for wheels, tires and rims.